

AMERICAN TURNMASTER



LS Series
Heavy Duty Precision Lathes

American Turnmaster LS Series

Main Features

HEADSTOCK

- All gears and shafts are made of alloy steel, heat treated, and precision ground
- Rotating speed change system is dial type and color coded for low medium and high ranges for easy operation

SPINDLE

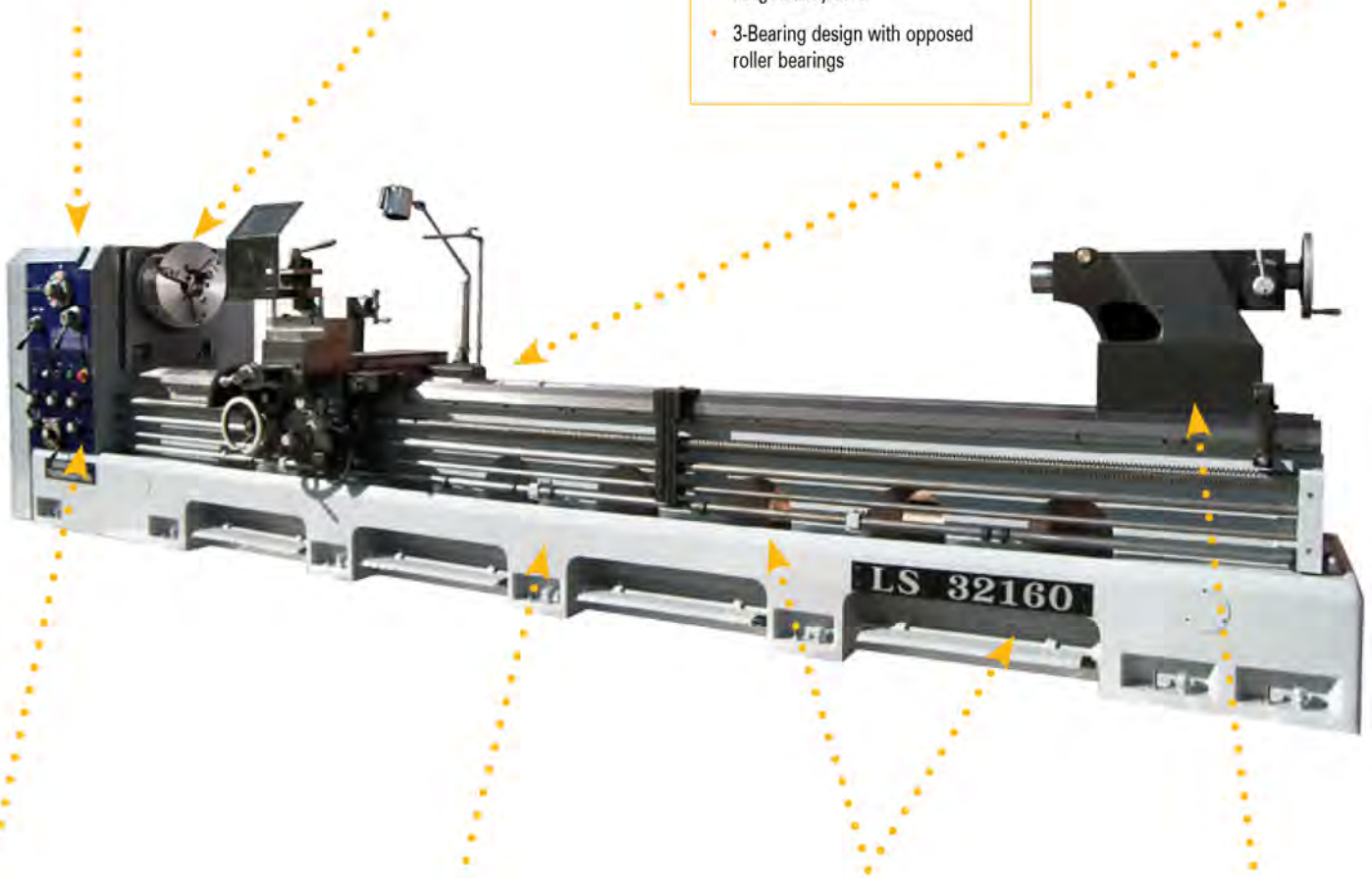
- Large bore spindle, supported by 3-point Timken precision bearings. Suitable for heavy duty cutting
- 4.125" (105mm) bore standard
- 6.025" (153mm) bore optional. LS-32 & LS-36 models only.



- 4.125" (105mm) spindle bore
- ASA A2-11 nose
- Forged alloy steel
- 3-Bearing design with opposed roller bearings

APRON & SADDLE

- Easily operated overload protection safety device
- Central lubrication system can be operated manually or automatically
- 2 or 4-way rapid traverse optional



GEAR BOX

- Totally enclosed universal gear box design, for cutting inch and metric threads without changing end-train gears

LATHE BED

- Integrated one-piece lathe bed and base enhances machine life, work performance and rigidity.
- Highest grade G-50 meehanite castings
- High tensile rib structure with wide bed
- Hardened and precision ground bed ways are 18.125" across

STOP & BRAKING SYSTEM

- Full length stops provide automatic feed kick-out of carriage for multi-diameter work
- Full length foot brake for instant spindle stop

HEAVY DUTY TAILSTOCK

- No. 6 MT
- With 2-speed quill travel (1:1 and 1:4)

Heavy Duty Precision Lathes

Specifications

MODEL	LS-28		LS-32		LS-36	
CAPACITY						
Swing Over Bed	28¾" (730mm)		32½" (830mm)		36½" (930mm)	
Swing Over Cross Slide	20" (500mm)		23" (600mm)		27½" (700mm)	
Swing Over Gap	40" (1000mm)		44" (1100mm)		47" (1200mm)	
Gap Length	12" (304mm)		12" (304mm)		12" (304mm)	
Bed Width	18 1/8" (460mm)		18 1/8" (460mm)		18 1/8" (460mm)	
Distance Between Centers	60" to 240" (1500 to 6000mm)		60" to 240" (1500 to 6000mm)		60" to 240" (1500 to 6000mm)	
HEADSTOCK						
Spindle Nose (Standard)	A2-11 or D1-11		A2-11 or D1-11		A2-11 or D1-11	
Spindle Bore (Standard)	4.125" (105mm)		4.125" (105mm)		4.125" (105mm)	
Spindle Bore (Optional)	-		6.024 (153mm)		6.024 (153mm)	
Number of Spindle Speeds (Steps, RPM)	12 Steps, 15 ~ 1000 RPM		12 Steps, 15 ~ 1000 RPM		12 Steps, 15 ~ 1000 RPM	
Spindle Speed - Low Range (RPM)	15 - 25 - 40 - 55		15 - 25 - 40 - 55		15 - 25 - 40 - 55	
Spindle Speed - Medium Range (RPM)	70 - 115 - 160 - 230		70 - 115 - 160 - 230		70 - 115 - 160 - 230	
Spindle Speed - High Range (RPM)	340 - 350 - 780 - 1000		340 - 350 - 780 - 1000		340 - 350 - 780 - 1000	
THREAD & FEED RANGES						
Leadscrew Diameter	1¾" x 2" TPI (45mm)		1¾" x 2" TPI (45mm)		1¾" x 2" TPI (45mm)	
Inch Thread Range	2 to 28 TPI		2 to 28 TPI		2 to 28 TPI	
Metric Thread Range	0.8 to 14 mm		0.8 to 14 mm		0.8 to 14 mm	
Longitudinal Feeds	0.05 to 0.7 mm / rev		0.05 to 0.7 mm / rev		0.05 to 0.7 mm / rev	
Cross Feed Range	0.025 to 0.35 mm / rev		0.025 to 0.35 mm / rev		0.025 to 0.35 mm / rev	
Cross Slide Travel	16½" (425mm)		16½" (425mm)		16½" (425mm)	
Compound Rest Travel	10" (250mm)		10" (250mm)		10" (250mm)	
Longitudinal Rapid Traverse	118 IPM (3M/min)		118 IPM (3M/min)		118 IPM (3M/min)	
Cross Rapid Traverse	60 IPM (1.5M/min)		60 IPM (1.5M/min)		60 IPM (1.5M/min)	
Module Thread	0.5 to 7 MP		0.5 to 7 MP		0.5 to 7 MP	
Diameter Pitch Thread	4 to 56 DP		4 to 56 DP		4 to 56 DP	
TAILSTOCK						
Quill Diameter	3¾" (95mm)		3¾" (95mm)		3¾" (95mm)	
Center Taper	No. 6 MT		No. 6 MT		No. 6 MT	
Quill Traverse	9" (230mm)		9" (230mm)		9" (230mm)	
Quill Hand Feed Ratio	(2 Speed) 1:1 & 4:1		(2 Speed) 1:1 & 4:1		(2 Speed) 1:1 & 4:1	
MOTOR						
Main Spindle Motor	20 HP (15kW)		20 HP (15kW) / 25 HP (20kW)		25 HP (20kW)	
Coolant Pump Motor	¼ HP (019kW)		¼ HP (019kW)		¼ HP (019kW)	
NET WEIGHT						
Center Distance	60"	100"	120"	160"	200"	240"
Approximate Weight	11,880 lbs.	13,640 lbs.	14,520 lbs.	16,280 lbs.	18,840 lbs.	19,800 lbs.

STANDARD ACCESSORIES

- Black Plate (1 pc.)
- Center Sleeve (2 pc.)
- Center - MT #5 (2 pc.)
- Tool Post Wrench (1 pc.)
- Anchor Bolt (1 set)
- Tool Box & Tool (1 set)
- Coolant Pump (1 set)
- Square Tool Post (1 set)

OPTIONAL ACCESSORIES

- 3 & 4 Jaw Chucks
- EVS Drive / Digital Readouts
- Taper Turning Attachments
- 4-Way Rapid Traverse
- Rear Splash Guard
- Face Plate
- Steady Rest
- Follow Rest
- Work Light

Heavy Duty Precision Lathes

Optional Accessories



FOLLOW REST



STEADY REST
with Roller Tips



TOOL POST GRINDER
Various Wheel Diameters Available



FACE PLATES
Slotted



5C HANDWHEEL COLLET CHUCK



ALORIS QUICKCHANGE TOOLPOST SET



3 & 4 JAW CHUCKS



LIVE CENTER



5C LEVER COLLET CLOSER
1 1/16" Capacity



HALOGEN WORK LIGHT



DRILL CHUCK
Keyless & Key Type - All Sizes



DIGITAL READOUT
Optional Constant Surface Speed (CSS)



SPECIAL ELECTRICS
CE, Canadian, NFPA-79, JIC, UL Appr.



CHUCK GUARDS
With Safety Switch



TELESCOPIC TAPER ATTACHMENT

*Descriptions, specifications, and illustrations are subject to change without notice. Republic Lagun Machine Tool Co. is not responsible for misprints or typographical errors. Inch metric conversions are rounded off, refer to product quotations for exact measurements. Please contact us for further information.

Providing solutions since 1965



Aircraft & Space

Honeywell Aerospace
Boeing Company
Hughes Aircraft
Lockheed Aircraft
NASA
Northrop Grumman
Rockwell International
BAE Systems
Space X
Raytheon
Rolls - Royce
Bombardier
Parker Hannifin
United Technologies
Bell Helicopter
Pratt & Whitney

Computer & Electronic

I.B.M.
General Dynamics Corp
Hewlett Packard Corp
Honeywell International, Inc.
Dell, Inc.
Siemens
Bosch RexRoth

Construction & Farm Machinery

Caterpillar Inc.
Navistar
Ingersoll-Rand Company
John Deere
Komatsu America

Others

Allied Chemical
Dresser Industries
Hollymatic Corp.
General Electric Company
Servo Products
Weyerhaeuser Company
Westinghouse Corp.
Toyota Motor Corp.
Roland Sands Design
Educational Institutions
Siemens Energy
Universities
Community Colleges

Military

U.S. Army
U.S. Navy
U.S. Air Force
U.S. Marines
U.S. Coast Guard
U.S. Department of Defense

Descriptions, specifications and illustrations are subject to change without notice. Always refer to a Lagun Engineering Solution formal quotation. Not responsible for any misprints or typographical errors. Please contact us for more information and individual machine catalogs.

800 Sprucelake Drive, Harbor City, CA. 90710
Phone: 310.518.1100 | Toll Free: 800.421.2105
Fax: 310.830.0923 | Web: www.lagun.com

LAGUN
ENGINEERING